

DRAWING MADE IN THIRD ANGLE PROJECTION

3

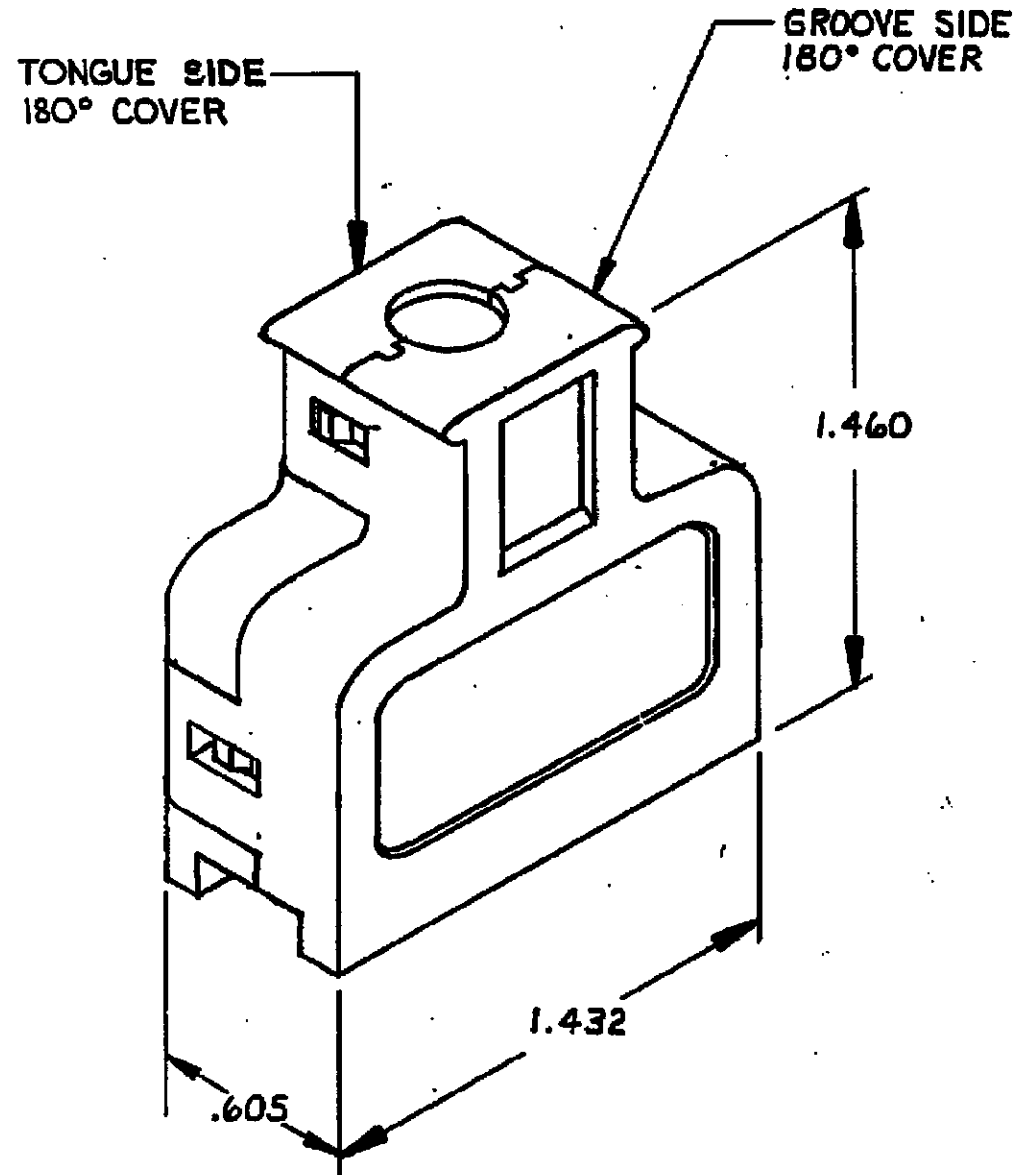
2

1 LOC AA DISP 20

THIS DRAWING IS UNPUBLISHED, RELEASED FOR PUBLICATION


COPYRIGHT

| REVISIONS | | | | | | |
|-----------|---|------|-----|---------------------------|---------|----------|
| P | F | ZONE | LTR | DESCRIPTION | DATE | APPROVEC |
| | | | L1 | REVISED PER ECO-11-005294 | 11APR11 | HMR |



1. ALL DIMENSIONS SHOWN ARE MAXIMUM UNLESS OTHERWISE SPECIFIED.
2. THIS KIT SHIPPED NOT ASSEMBLED.
3. PACKAGED ONE KIT PER POLY BAG.
4. 100 KITS BULK PACKED.

| PACKAGED | CABLE RANGE DIAMETER | COLOR | GROOVE SIDE PART NO. | TONGUE SIDE PART NO. | KIT PART NO. |
|----------|----------------------|-------|----------------------|----------------------|--------------|
| 4 | .320 - .380 | BLACK | 2- ↑ -1 | 2- ↑ -1 | 2- ↑ -1 |
| | .280 - .320 | | 1-552075-1 | 1-552074-1 | 1-552076-1 |
| | .230 - .280 | | 552075-1 | 552074-1 | 552076-1 |

| | | | | | |
|---|--|---|--|---|------------------|
| UNLESS OTHERWISE SPECIFIED DIMENSIONS ARE IN INCHES. TOLERANCES ON: DECIMALS ± ANGLES ± | | CONTRACT NO | |  TE Connectivity | |
| MATERIAL POLYPHENYLENE | | DR Phil Collins 5-9-83 CHK Stephen Dow 5-26-83 | | | |
| FINISH | | OTHER APPD | | NAME COVER KIT, 180°, 24 POSITION, CHAMP® | |
| | | | | SIZE B | FSCM NO 00779 |
| | | | | DRAWING NO 552076 | |
| | | | | SCALE 2:1 | |
| | | | | SHEET 1 OF 1 | |

CUSTOMER DRAWING